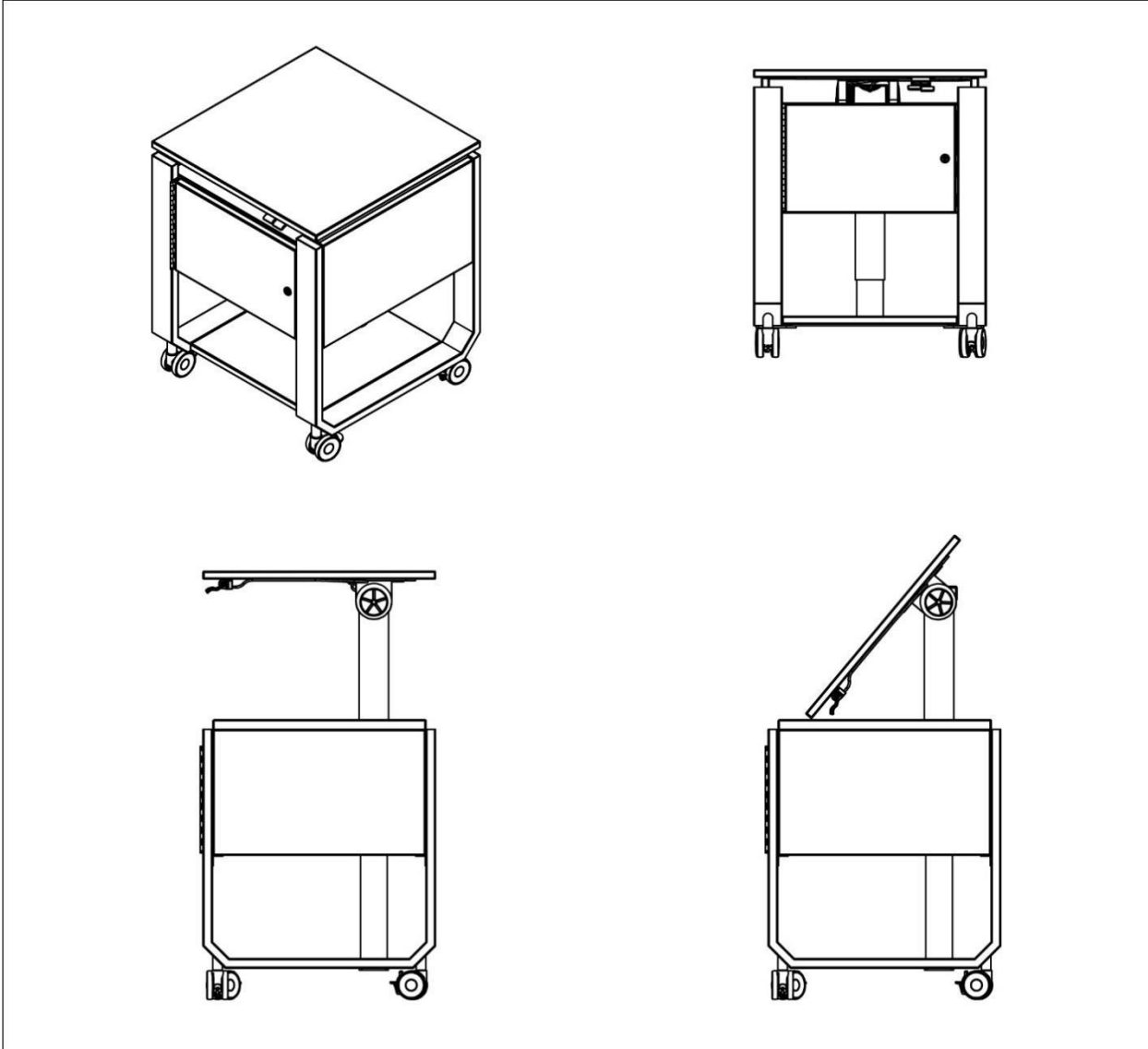


# Assembly Instructions

## MOTUM MOBILE LECTERN



## MODEL NUMBERS

58040 and 58041

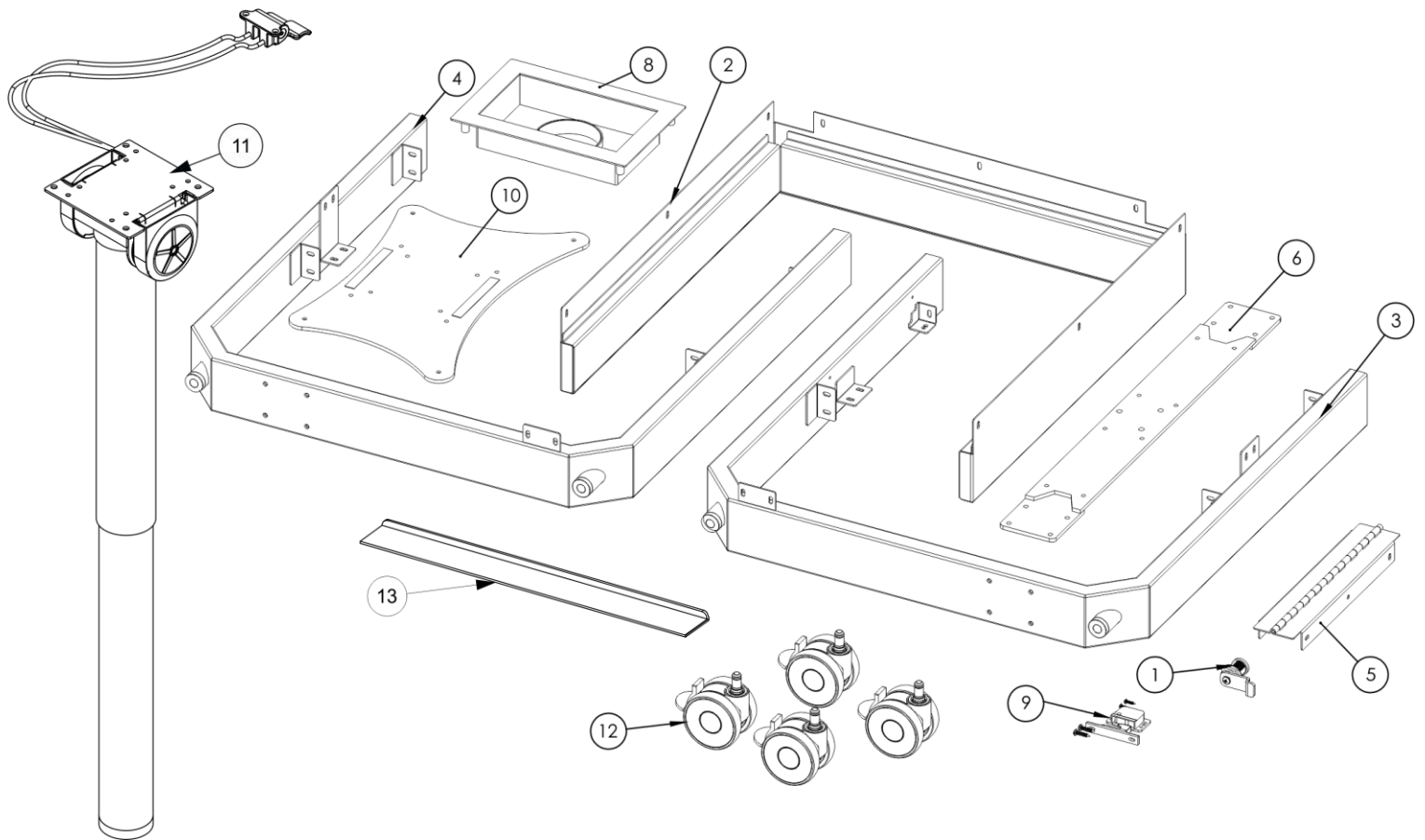
A digital copy of these assembly instructions can be found at <https://smithsystem.com/wp-content/uploads/2022/03/MOBILE-WORKSTATION-ASSEMBLY-INSTRUCTIONS-179720.pdf>

For video assembly instructions, scan the QR code link, or visit <https://youtu.be/7dpGppHC-z0>



# Hardware And Components

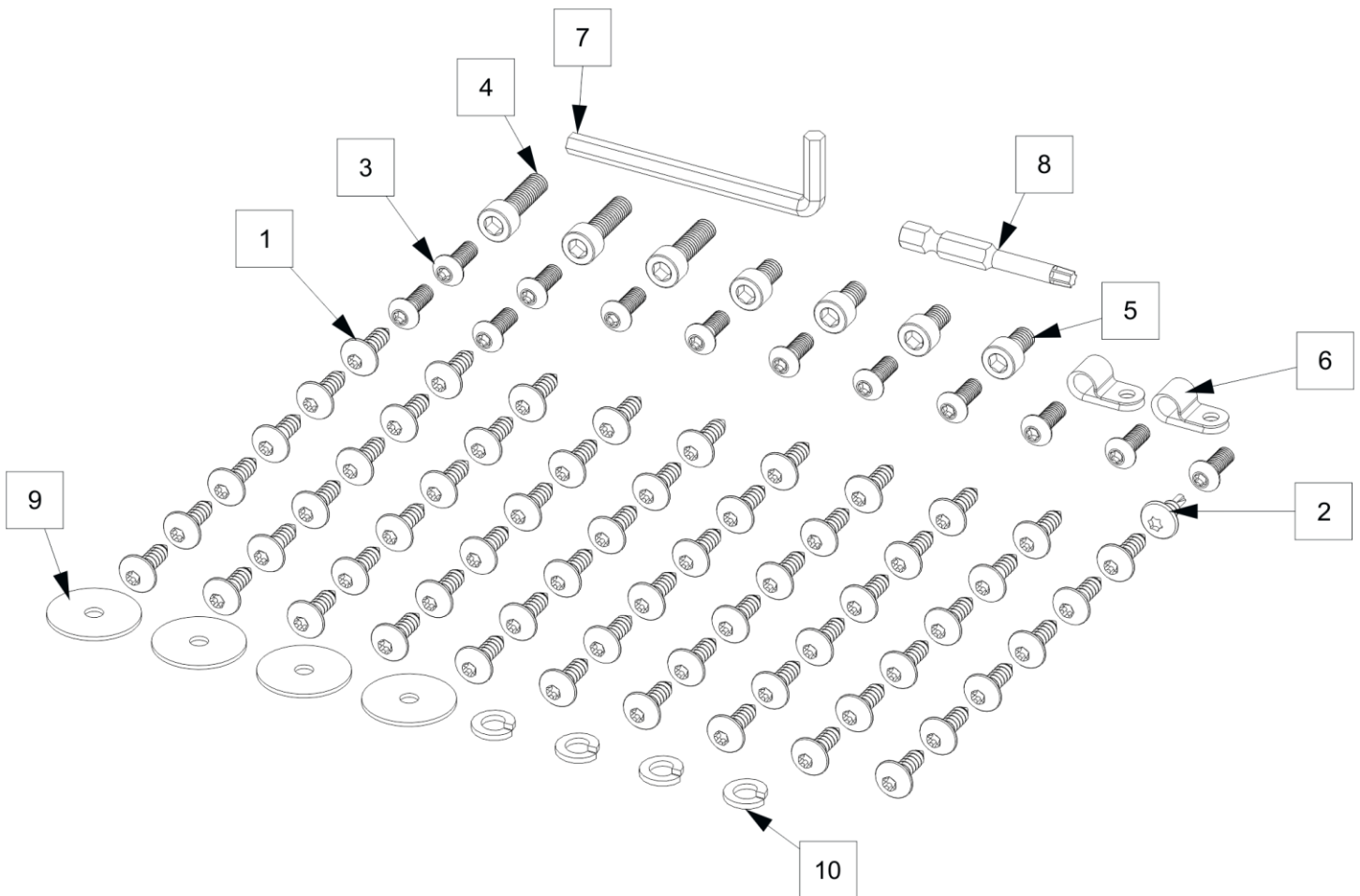
| ITEM NO. | PART NO. | DESCRIPTION                                     | QTY |
|----------|----------|-------------------------------------------------|-----|
| 1        | 60153    | MWS TD LOCK ASSEMBLY                            | 1   |
| 2        | P14304   | MOBILE LECTERN TO U ASSEMBLY                    | 1   |
| 3        | P14295   | MSW LEG ASSEMBLY LEFT                           | 1   |
| 4        | P14296   | MSW LEG ASSEMBLY RIGHT                          | 1   |
| 5        | P14314   | MOBILE LECTERN DOOR HINGE ASSEMBLY              | 1   |
| 6        | P14307   | MOBILE LECTERN PED TO LEG BRACKET ASSEMBLY      | 1   |
| 8        | P14374   | MWS TD TILT SUPPORT ASSEMBLY                    | 1   |
| 9        | 60152    | VIBRATION RESISTANT PULL TO OPEN GRAB LATCH KIT | 1   |
| 10       | P14319   | BUTTERFLY PLATE WITH FOAM MOUNTING TAPE         | 1   |
| 11       | P14319   | SIT STAND COLUMN WITH TILT                      | 1   |
| 12       | 60085    | 3" LOCKING CASTER                               | 4   |
| 13       | 67125    | 12" PENCIL PAPER RETAINER                       | 1   |



# Hardware And Components

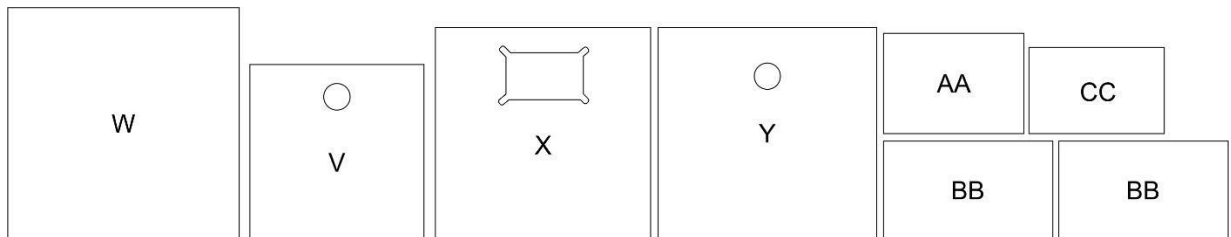
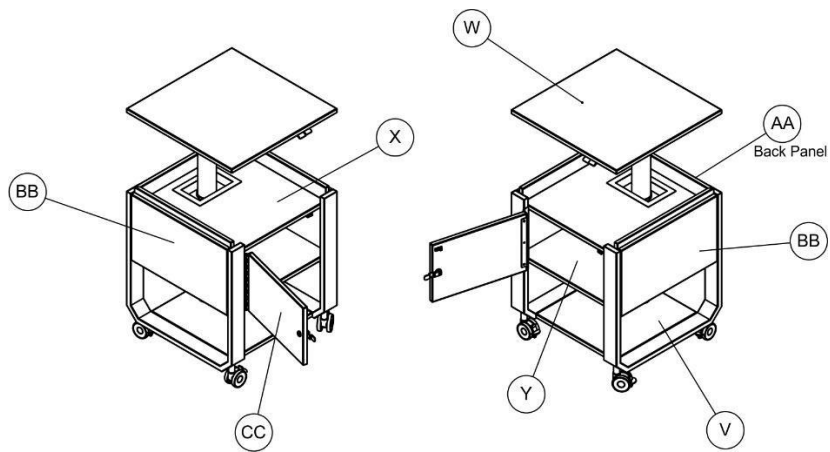
REPLACEMENT HARDWARE PACK PART NO. 60138-R

| Item No. | Part No. | Description                                        | QTY |
|----------|----------|----------------------------------------------------|-----|
| 1        | P14322   | NO. 10 X 5/8" TORX BUTTON HEAD SCREW               | 60  |
| 2        | P14324   | NO. 10 X 1/2" TORX SELF DRILLING BUTTON HEAD SCREW | 1   |
| 3        | P14323   | 10-32 X 1/2" TORX BUTTON HEAD W/ PATCH             | 12  |
| 4        | P13977   | M6 X 1.0 X 20MM SOCKET HEAD, HEX DRIVE, BLK OX     | 3   |
| 5        | P13994   | M6 X 1.0 X 10MM SOCKET HEAD, HEX DRIVE, BLK OX     | 4   |
| 6        | P13995   | 1/4" I.D. PLASTIC LOOP CLAMP                       | 2   |
| 7        | P13981   | HEX KEY 5MM SHORT ARM                              | 1   |
| 8        | P14329   | T25 TORX POWER BIT 2"                              | 1   |
| 9        | P14369   | #10 WASHER 1" OD                                   | 4   |
| 10       | P14320   | M6 SPLIT LOCK WASHER                               | 4   |

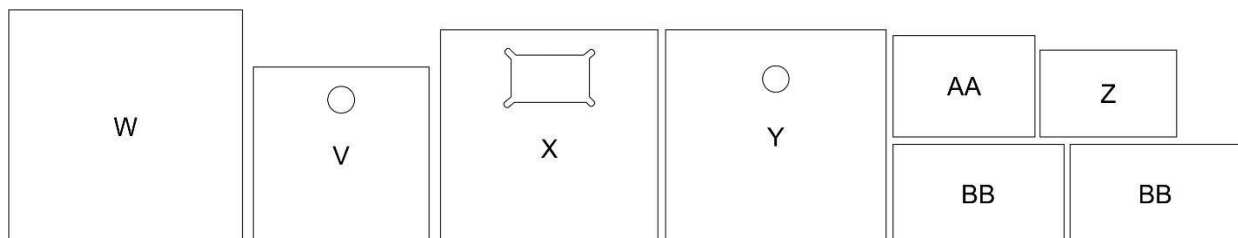
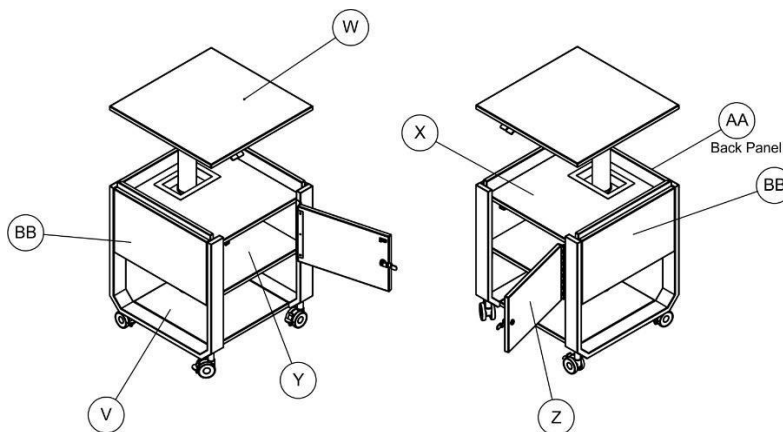


# Panel Guide

## 58041 – Left Hand Mobile Workstation



## 58040 – Right Hand Mobile Workstation



# General Assembly Guidelines

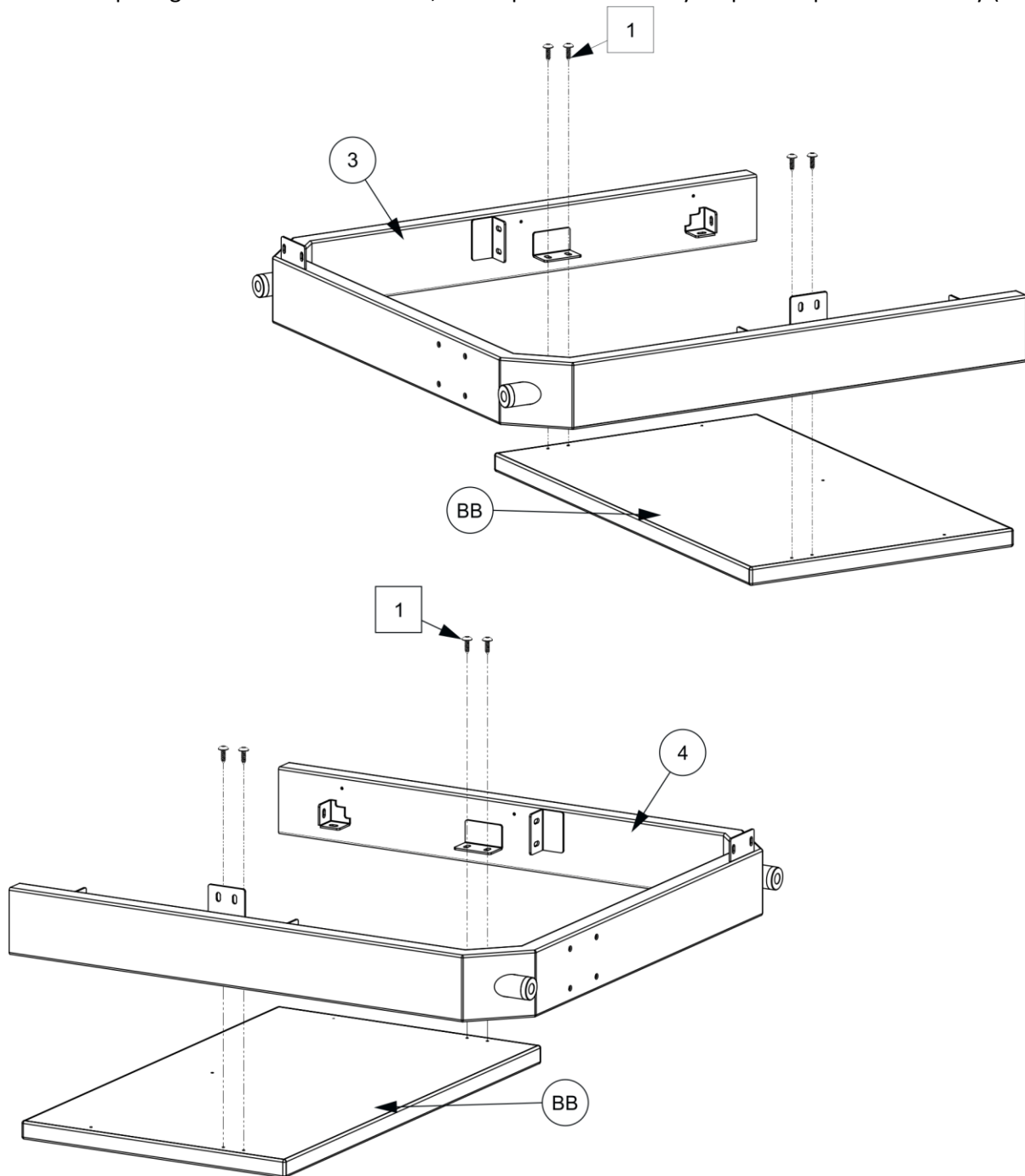
- Ensure that all components are accounted for and undamaged before assembling
- Follow each step carefully to ensure the proper assembly of this product
- 2-person assembly is highly recommended
- Clean the product with a mild cleaner and damp cloth

## Tools

- Framing Square
- Drill
- #1 and #2 Phillips drill bit
- Adjustable wrench
- Hammer
- Screwdriver (optional)
- Wood Clamps (optional)
- ¼" bit extender (optional)

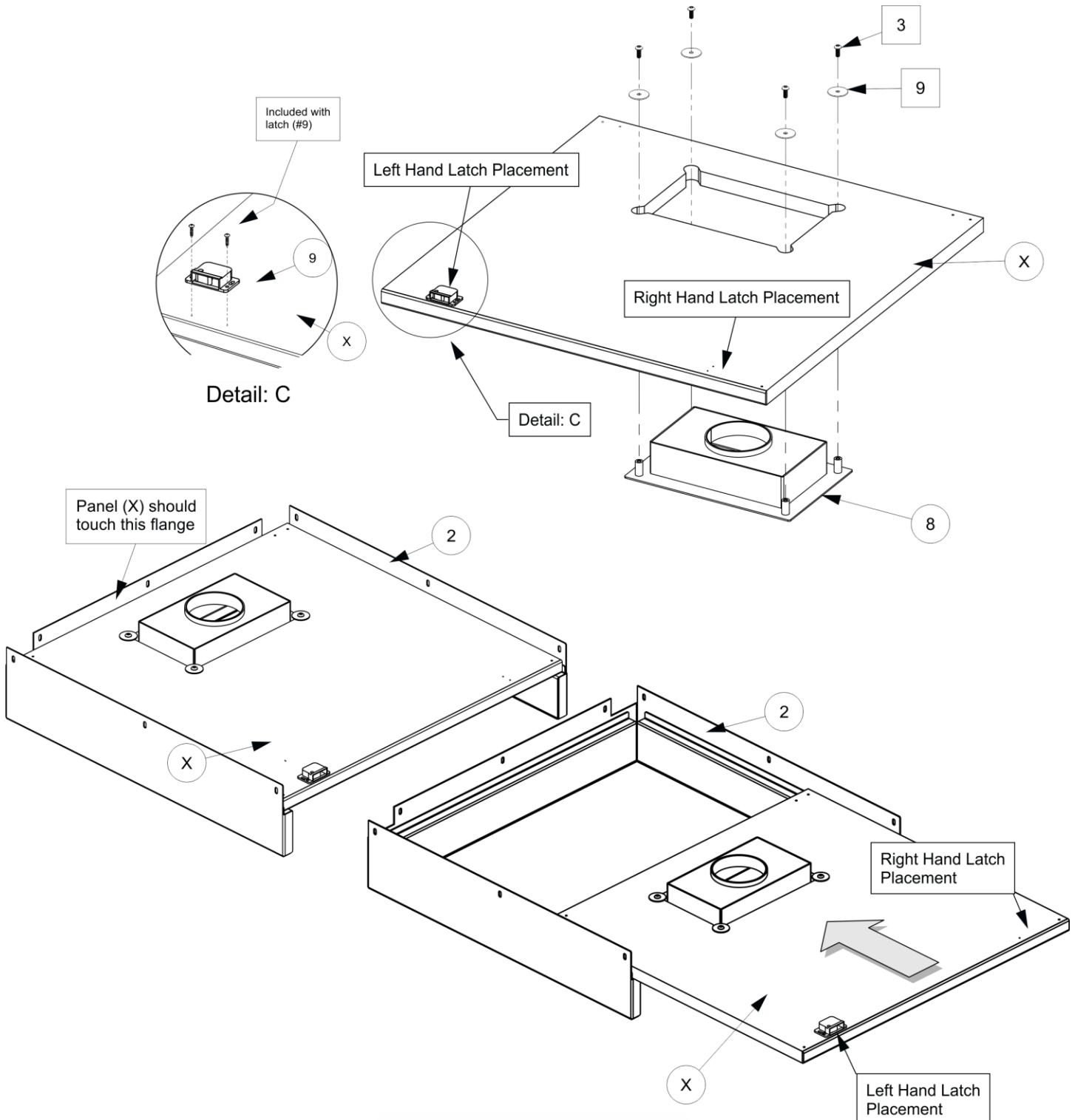
# Assembly Instructions

1. Unpack and confirm all parts are present.
2. There are 2 panels (BB), one will attach to assembly (#3) and the other to (#4). Begin by placing one panel (BB) on smooth, clean, surface, facedown with pilot holes facing up. Position leg assembly (#3) with holes aligned (as shown) and attach using 4x fastener [#1]. Before tightening, make sure the top edge of (#3) and panel (BB) are flush and that the spacing on both sides is uniform, use a spacer if necessary. Repeat steps with assembly (#4).



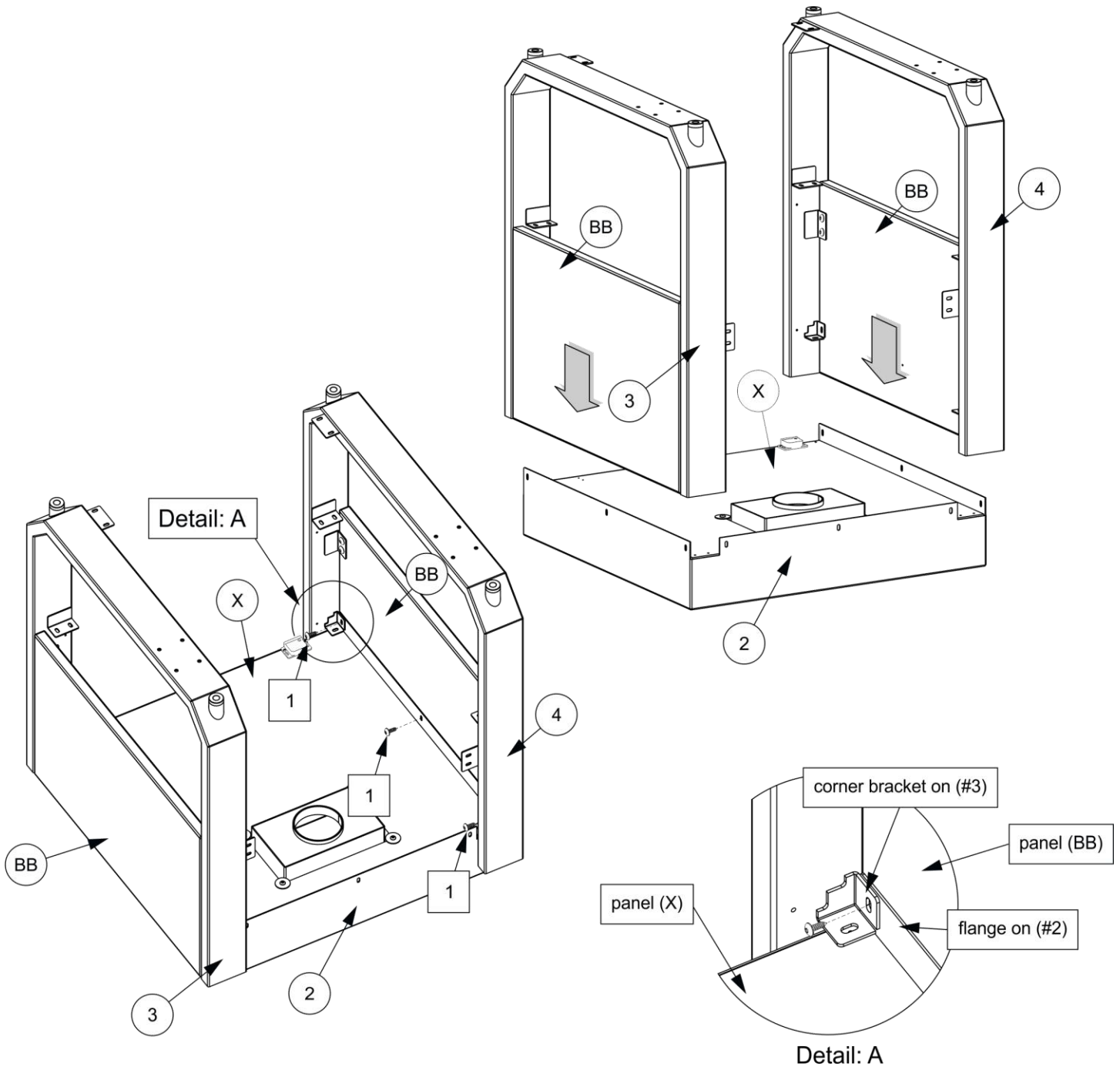
# Assembly Instructions

3. Insert support assembly (#8) into cut-out in panel (X). Using 4x washer [#9] and 4x fastener [#2], loosely finger tighten (#8) into place. Align latch (#9) with pilot holes on panel (X) and attach using the 2x shorter fasteners (included in latch packet). (See Detail: C) Next, position panel (X) into assembly (#2) so edges are aligned and spacing on either side is uniform.



# Assembly Instructions

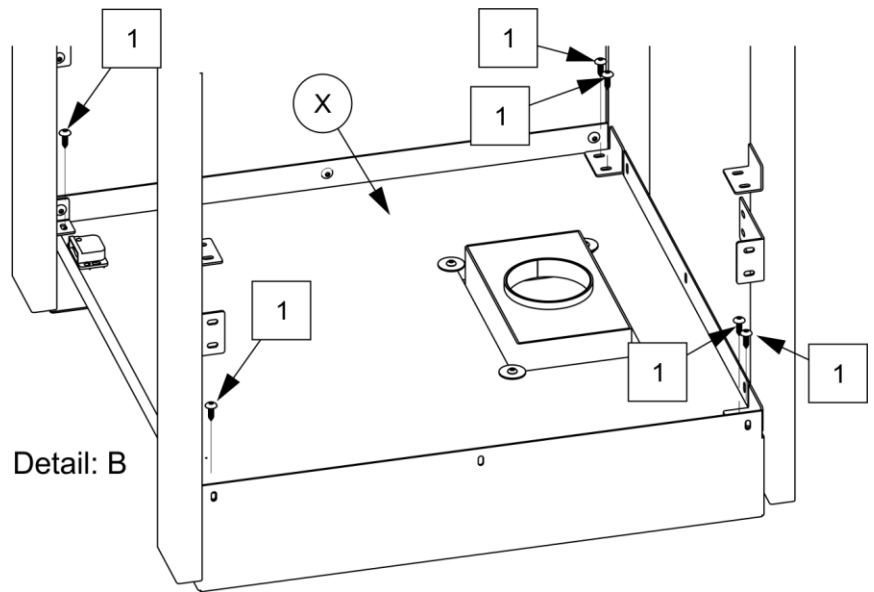
- Align assemblies (#3) and (#4) to assembly (#2) making sure the back edges are snug and that the flange on bracket (#2) slides between panel (BB) and corner brackets on (#3) and (#4) (as shown in Detail: A below). Attach assembly (#2) to 2x panels (BB) using 6x fastener [#1]



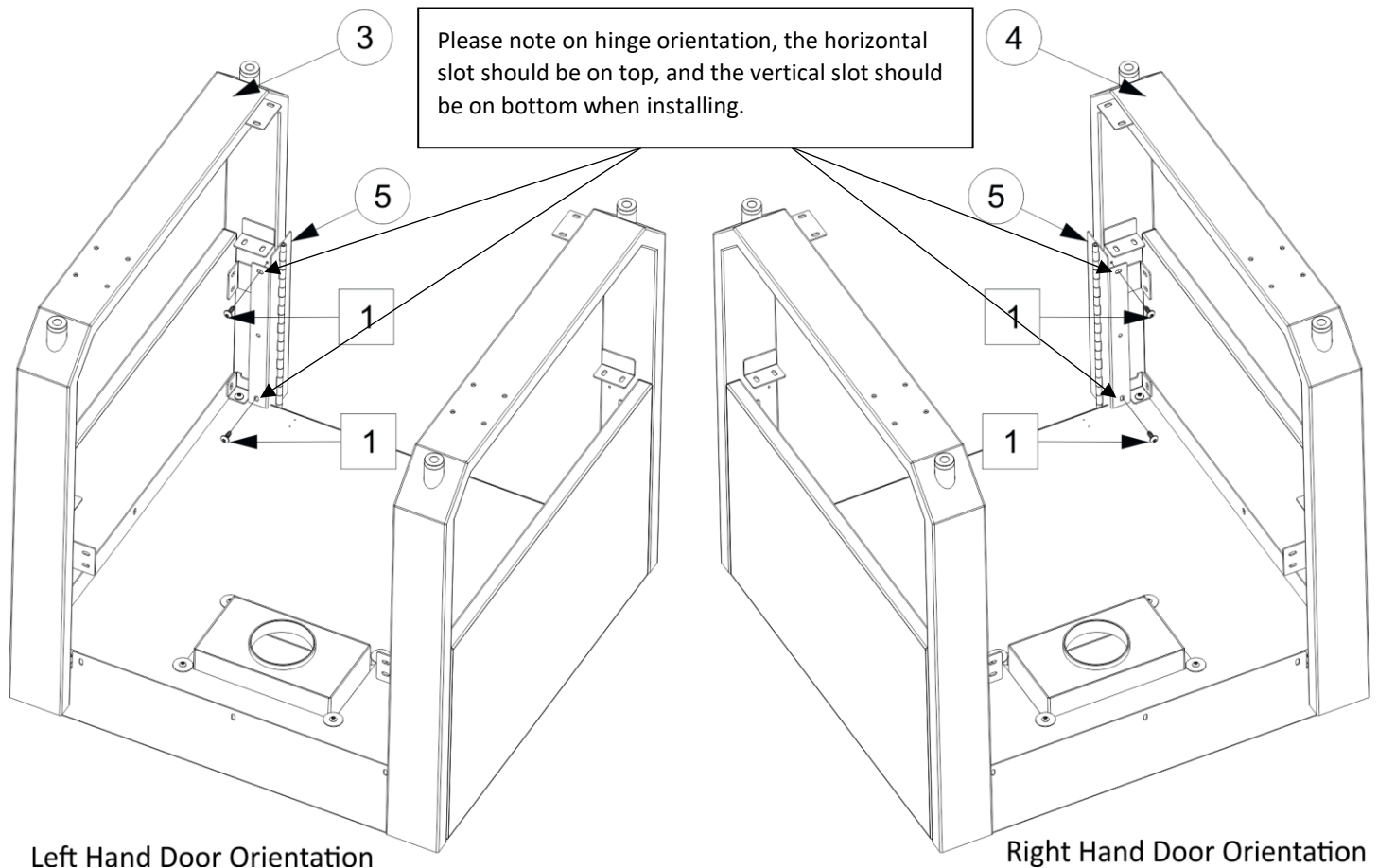


# Assembly Instructions

5. Use 6x fastener [#1] to attach (#3) and (#4) to (X) (as shown in Detail: B).

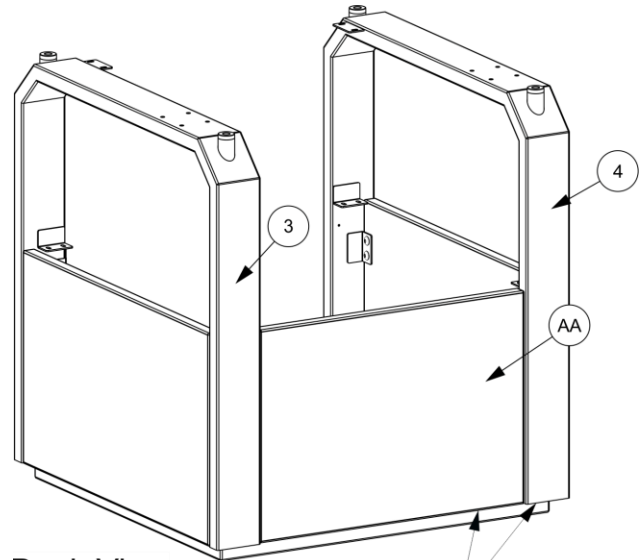
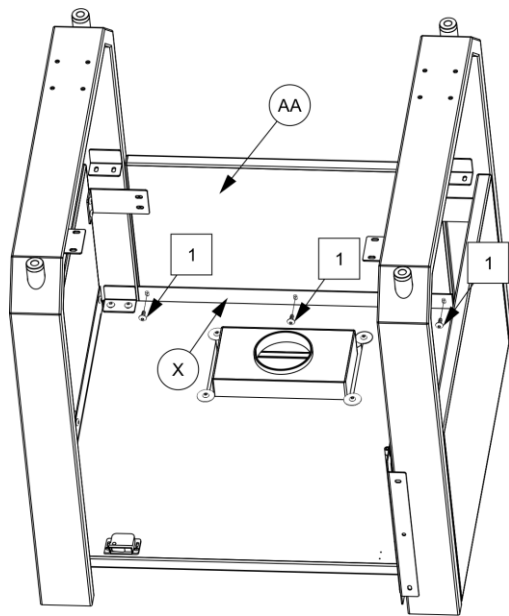


6. For left hand unit – Attach hinge (#5) to (#3) using 2x fastener [#1]. Do not fully tighten.  
For right hand unit – Attach hinge (#5) to (#4) using 2x fastener [#1]. Do not fully tighten.



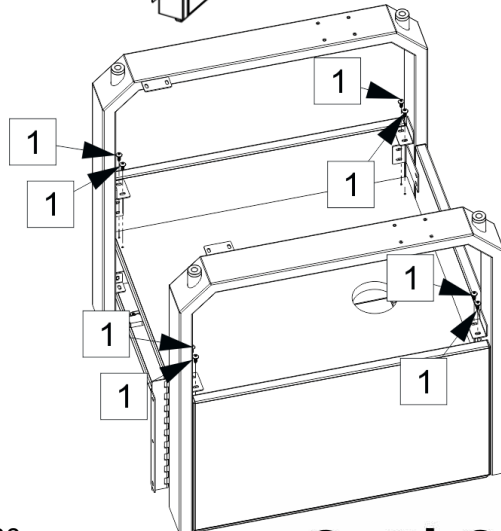
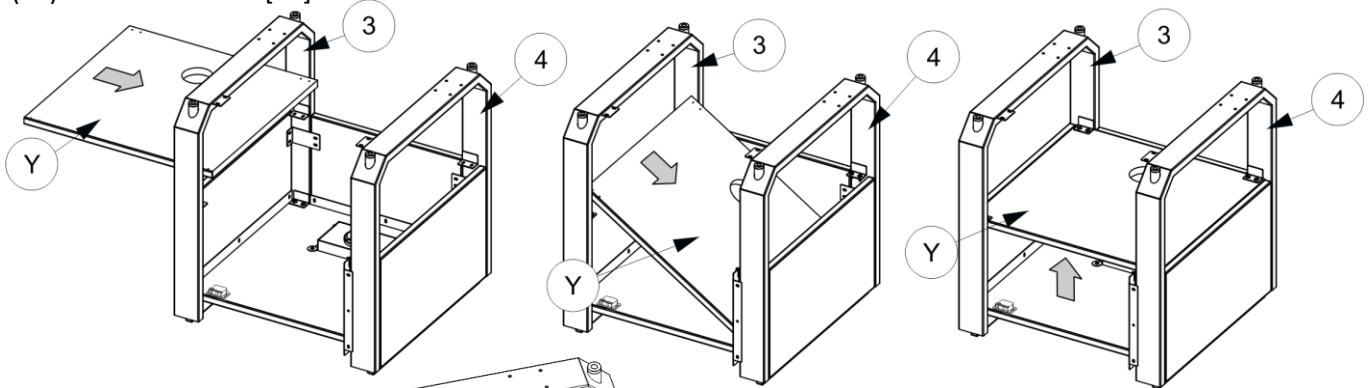
# Assembly Instructions

7. Insert panel (AA) between (#3) and (#4), aligning top edges. Attach to (X) using 3x fastener [#1].



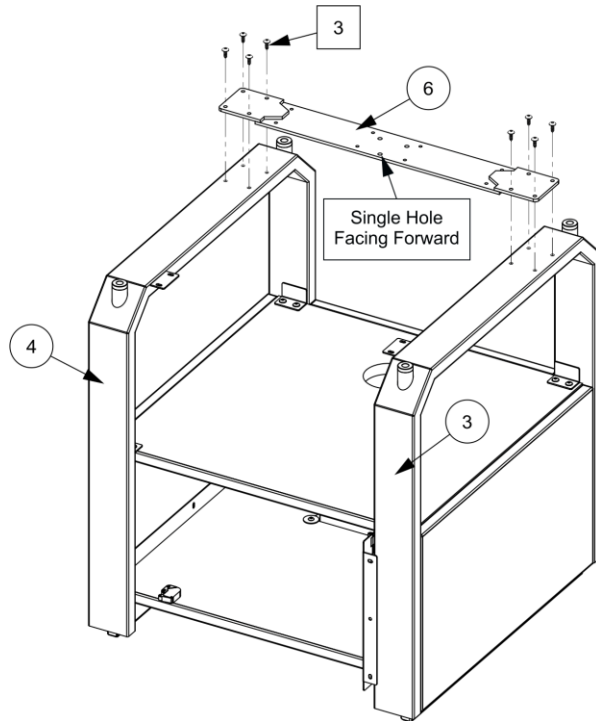
Make sure these edges are aligned

8. Gently insert panel (Y) into assembly from the side. Tip to position panel under tabs on (#3) and (#4) as shown below. (Apply slight outward pressure on (#3) and (#4) if necessary to clear brackets). Attach to brackets on (#3) and (#4) with 8x fastener [#1]

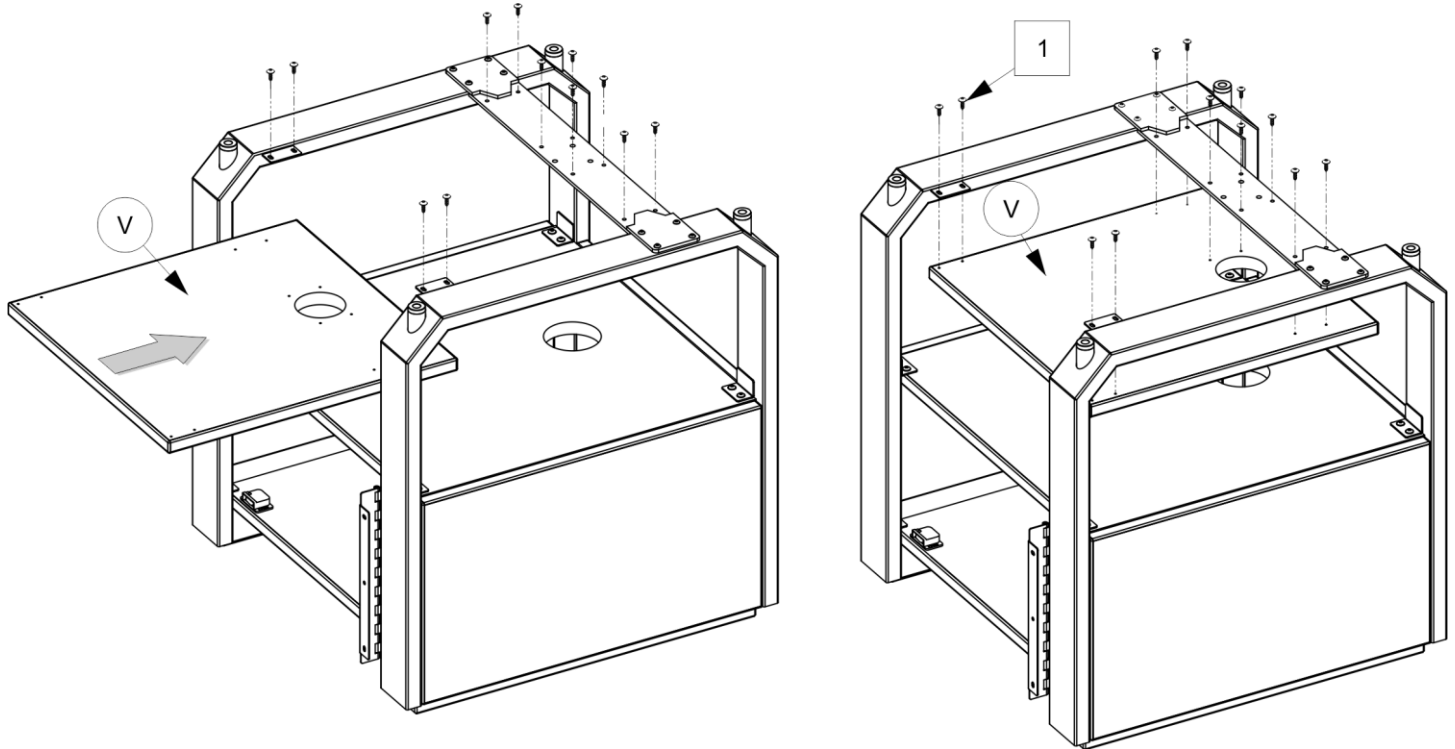


# Assembly Instructions

9. Using 8x fastener [#3], attach part (#6) to (#3) and (#4) from bottom.

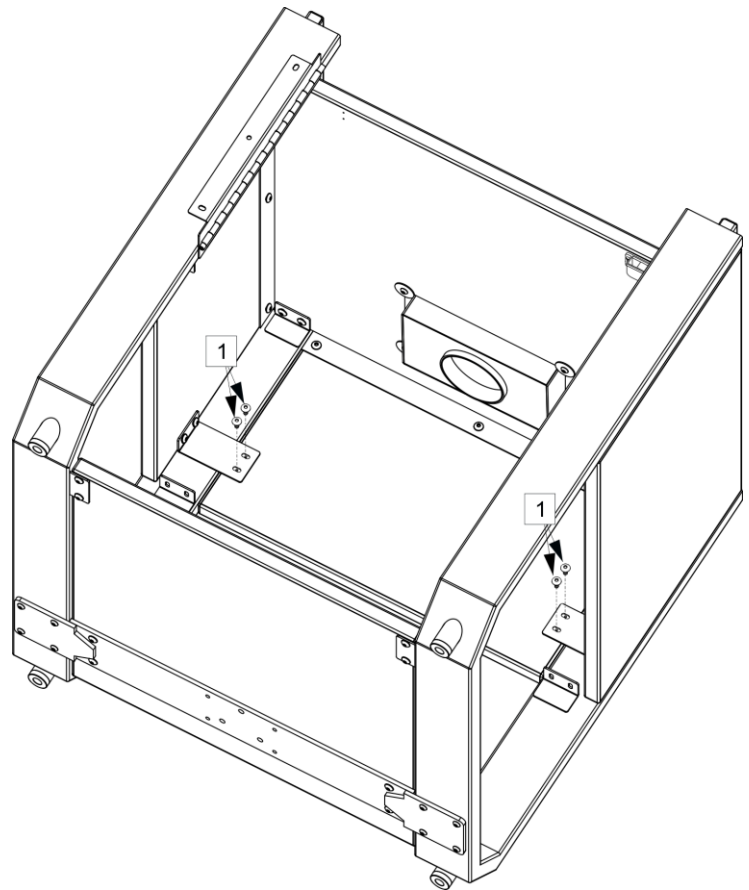


10. Attach panel (V) to assembly (#6) using 12x fastener [#1].

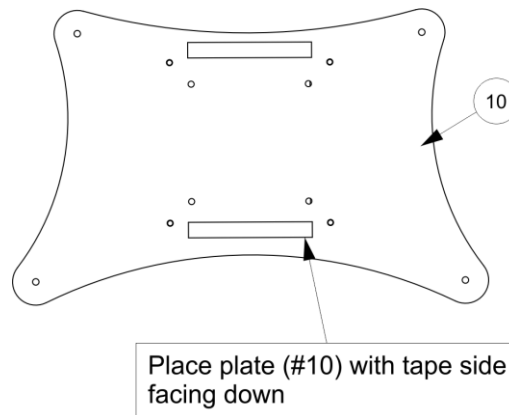
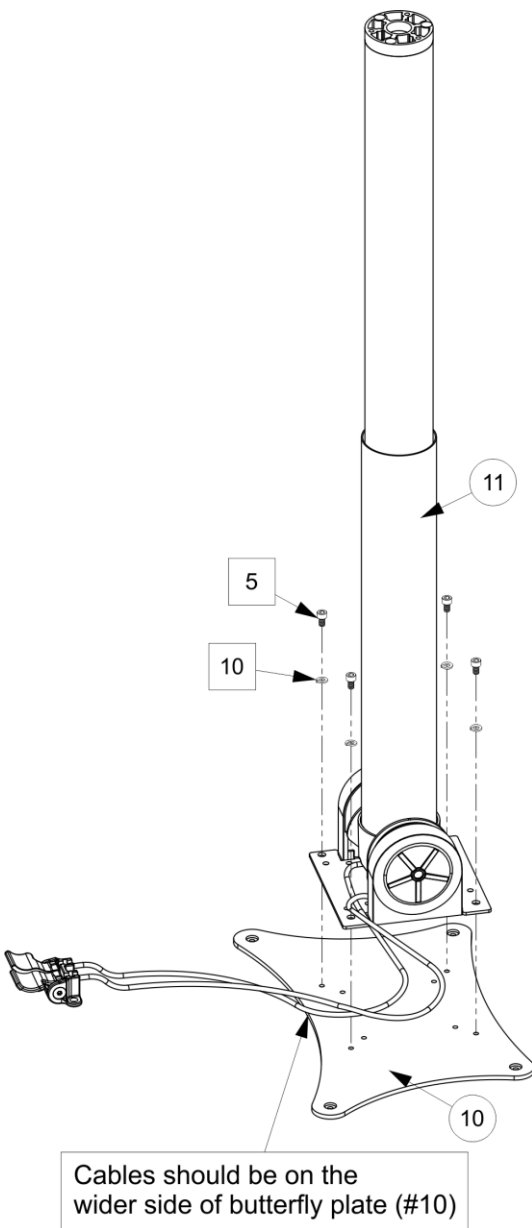


# Assembly Instructions

11. Lay unit on its back on a smooth, clean surface. Place 4x fastener [#1] in the remaining brackets on (#3) and (#4) and tighten.

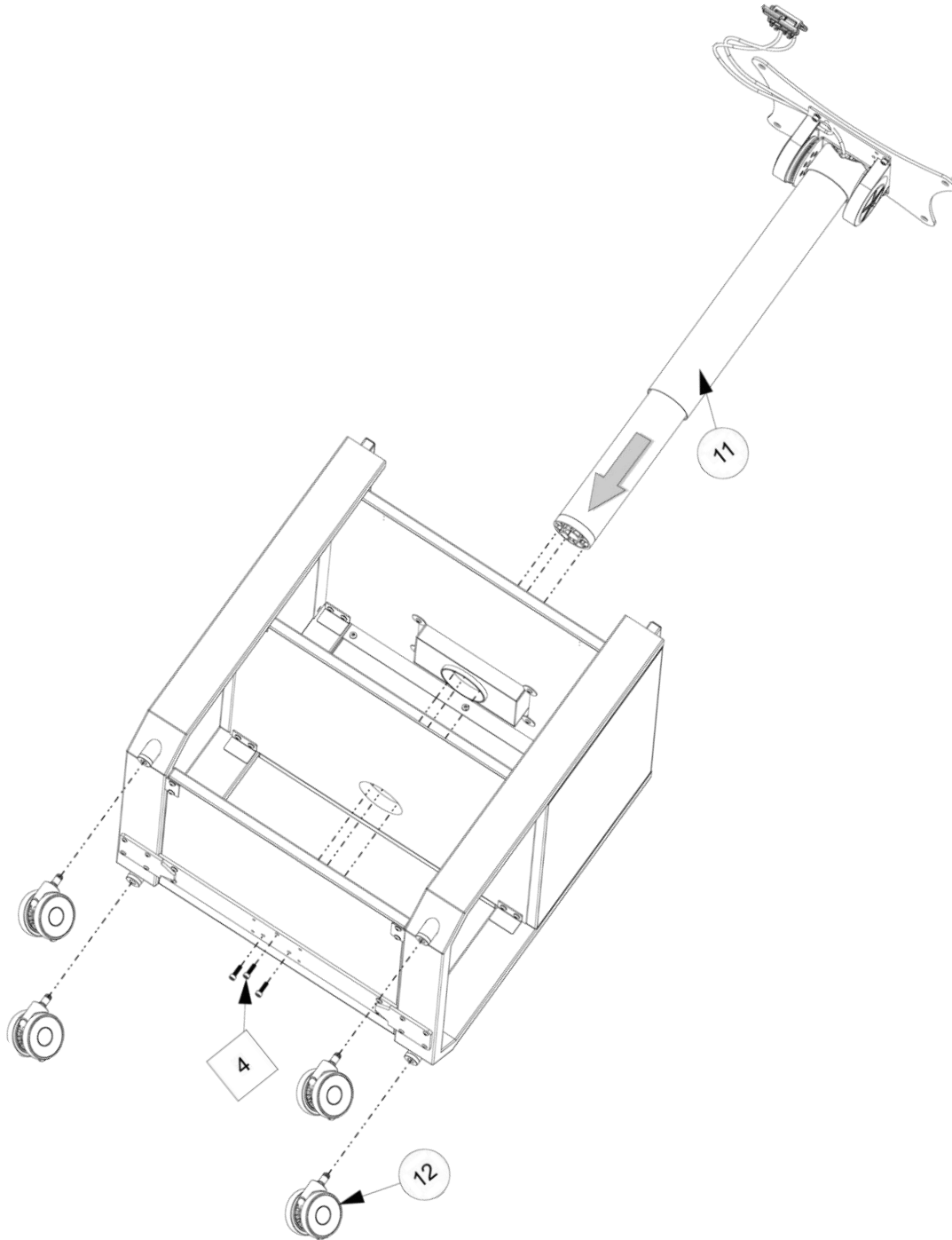


12. Place butterfly plate (#10) with tape facing down on a smooth, clean surface. Align pilot holes on lift column (#11) with butterfly plate (#10) so that lift cables are on the wider side of the plate (as shown below). Attach (#11) to (#10) with 4x washer [#10] and 4x fastener [#5] using supplied Allen key [#7].



# Assembly Instructions

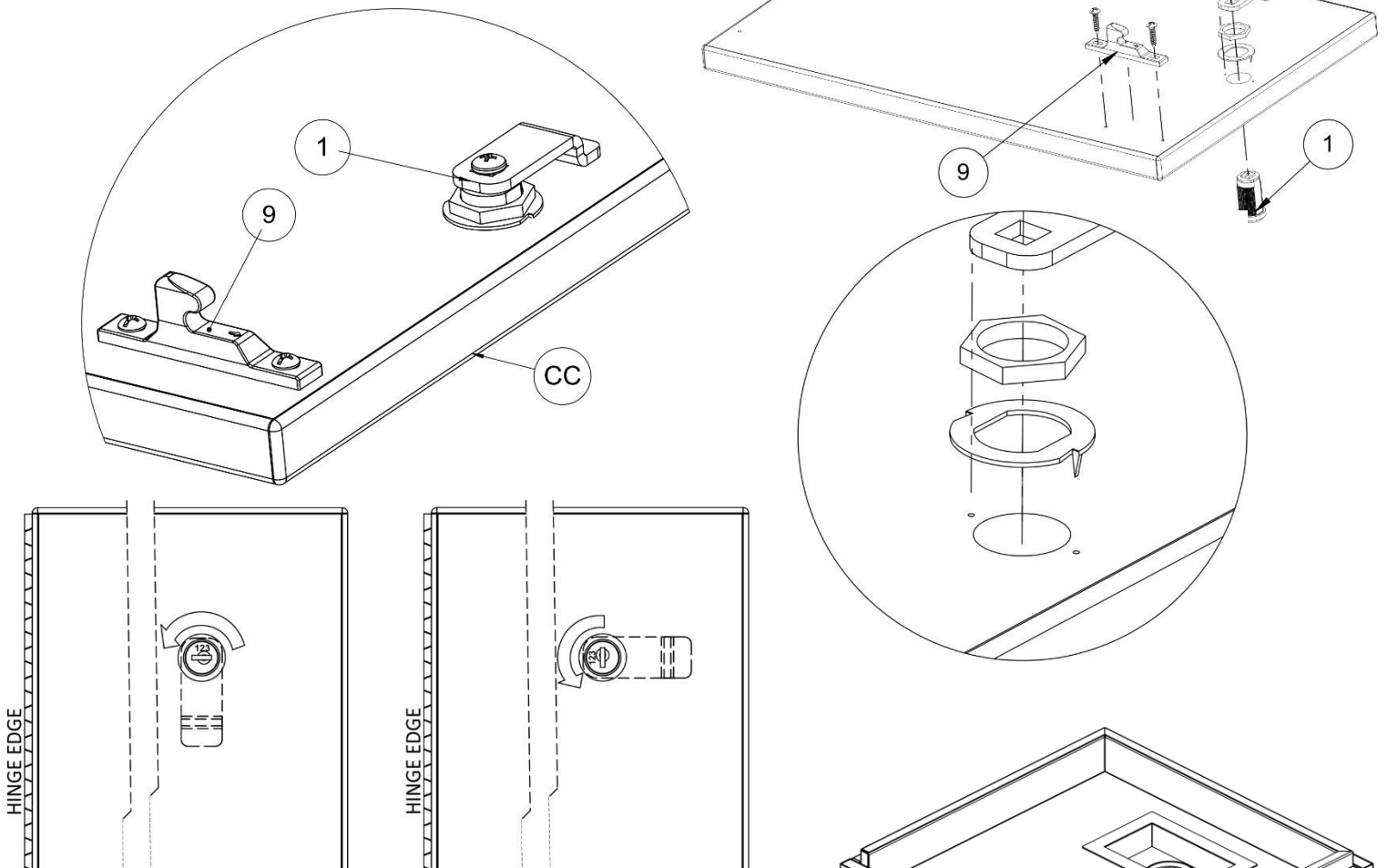
13. Carefully insert column through unit. Attach to bracket (#7) from bottom using 3x fastener [#4].
14. Firmly insert provided casters. With casters in locked position, set unit upright.



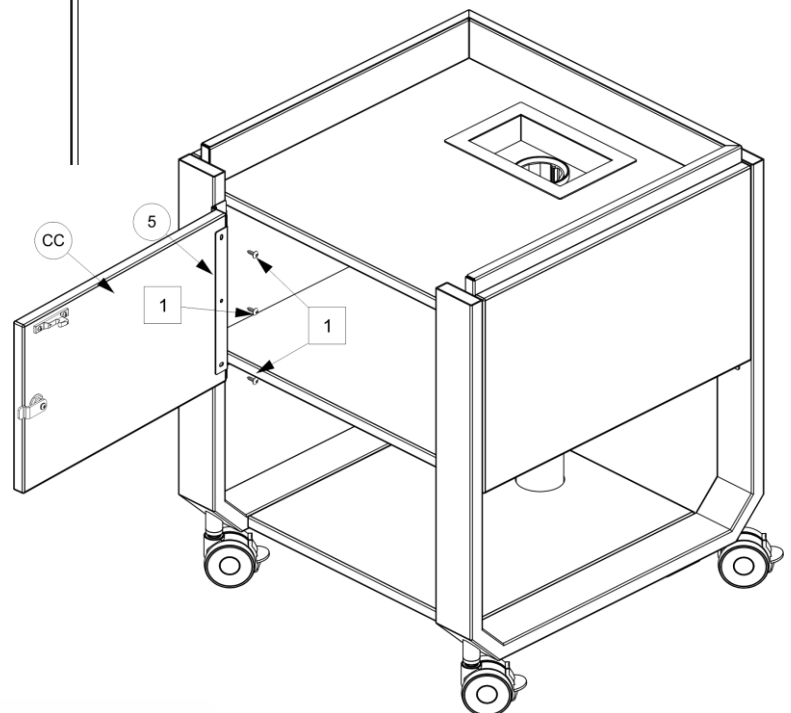
# Assembly Instructions

This page is for Left Hand assembly. See next page for Right Hand assembly.

15. (LH) Assemble lock and attach to door. Attach latch strike plate (#9) to door using 2x longer screws provided with latch kit (#9)



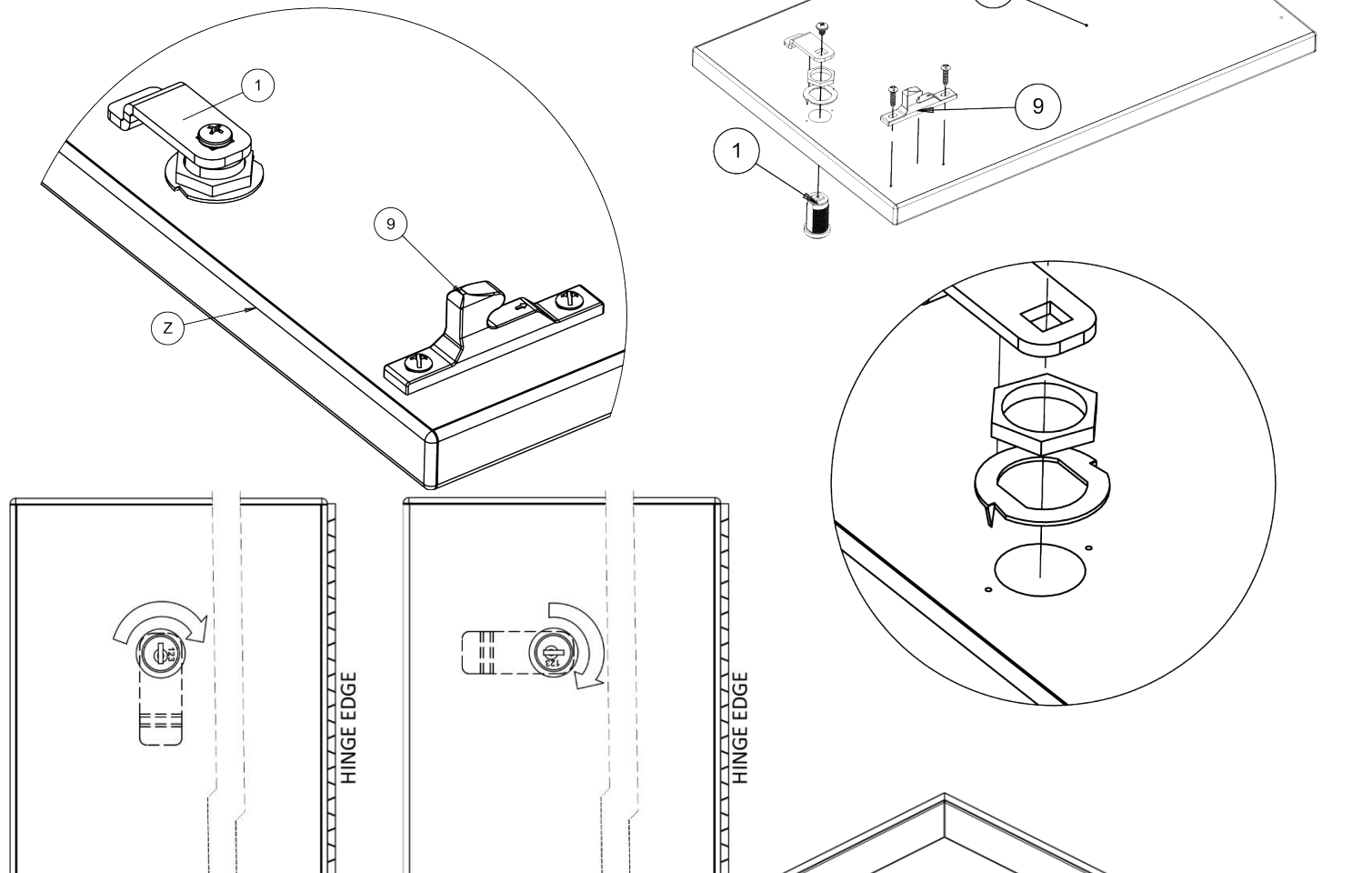
16. (LH) Attach door panel (CC) to hinge (#5) using 2x fastener [#1] utilizing the top and bottom holes in hinge. Make necessary adjustments for proper alignment of door before attaching self-drilling fastener [#2] through center hole.



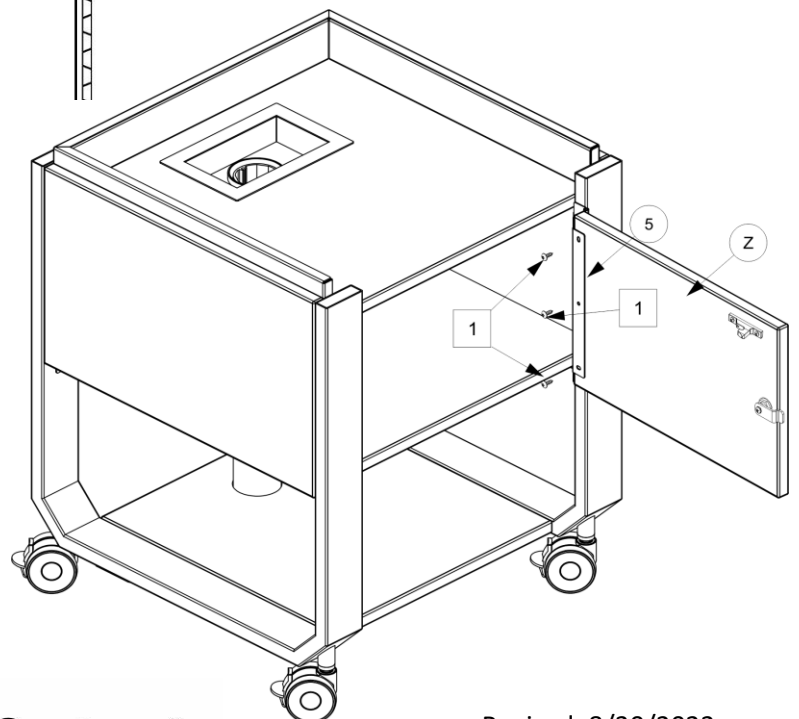
# Assembly Instructions

This page is for Right Hand assembly. See previous page for Left Hand assembly.

17. (RH) Assemble lock and attach to door. Attach latch strike plate (#9) to door using 2x longer screws provided with latch kit (#9)

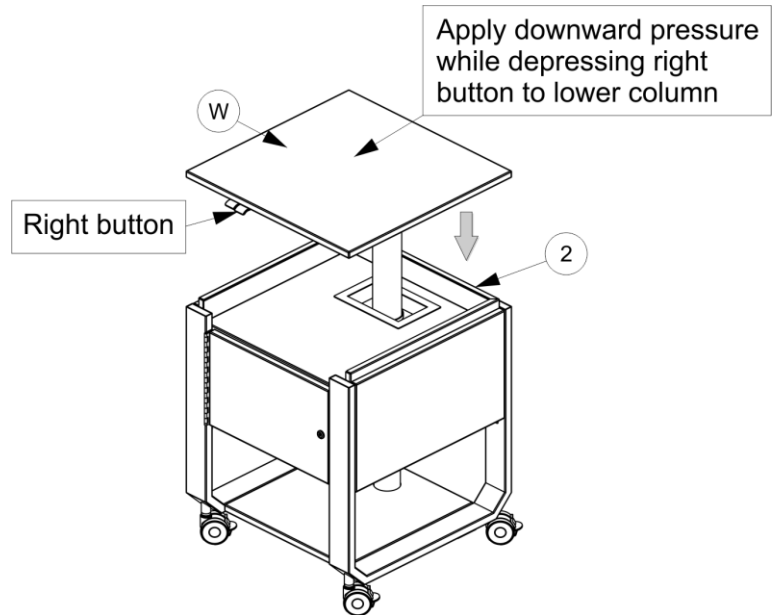


18. (RH) Attach door panel (CC) to hinge (#5) using 2x fastener [#1] utilizing the top and bottom holes in hinge. Make necessary adjustments for proper alignment of door before attaching self-drilling fastener [#2] through center hole.

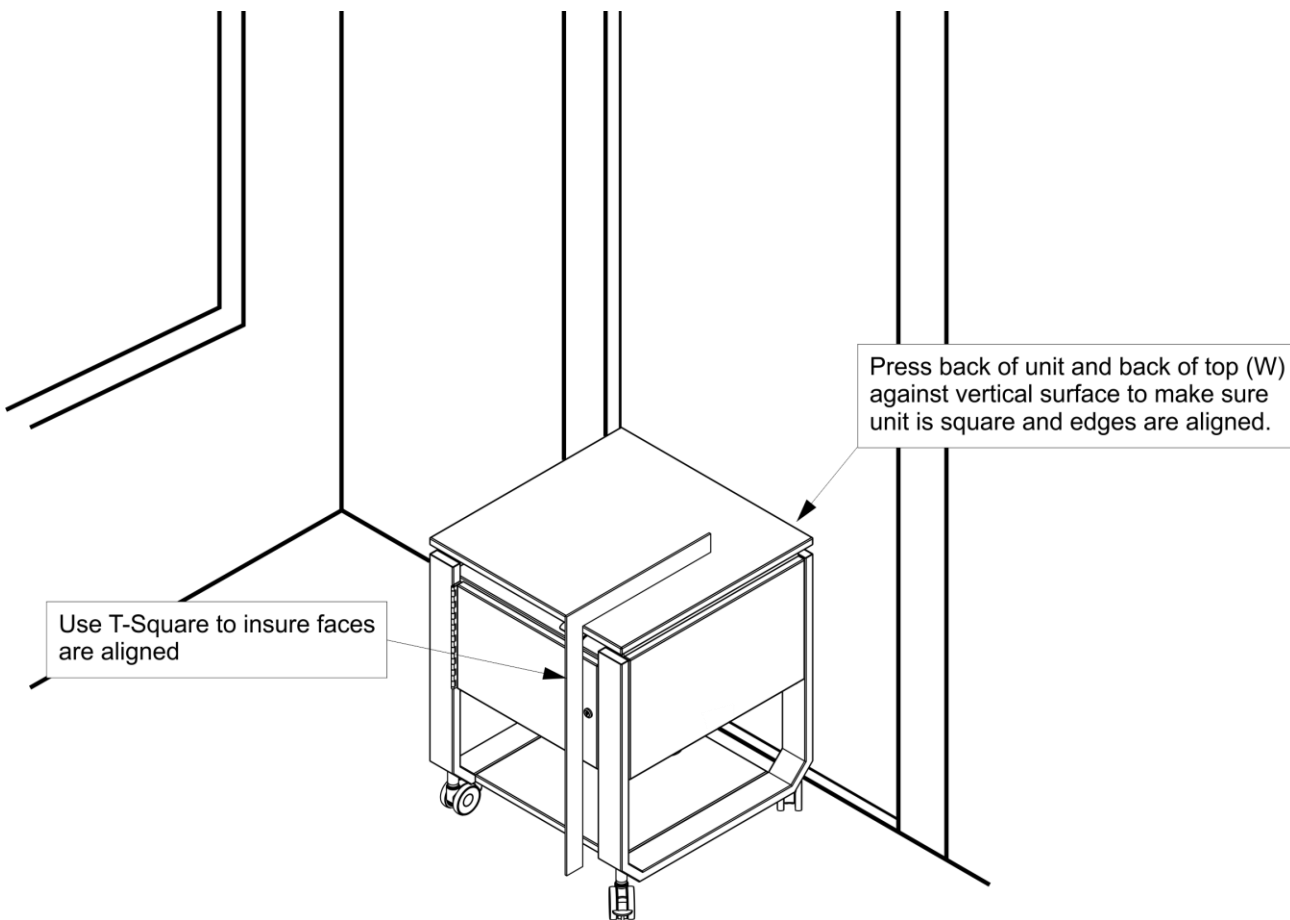


# Assembly Instructions

17. Place panel (W) on butterfly plate (#10). While pressing right button, push down on panel (W) until it makes contact with the top of (#2).



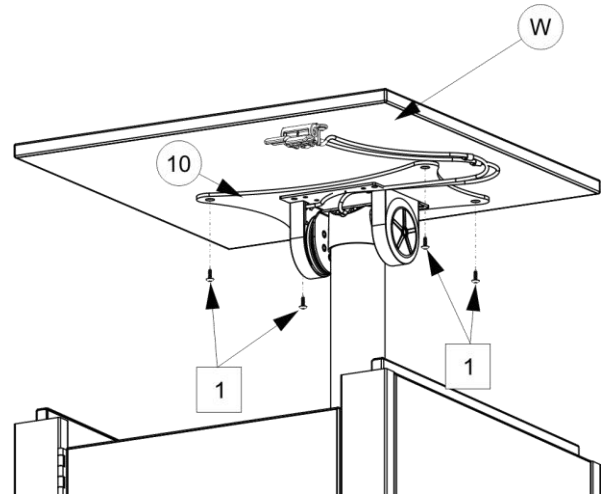
18. Remove backing from tape strips on butterfly plate (#10). Next, align unit with a vertical surface such as a door. With assistance, use a T-square to align front of top with front of unit. Once aligned properly, press down firmly on panel (W) to affix to mounting tape on butterfly plate.



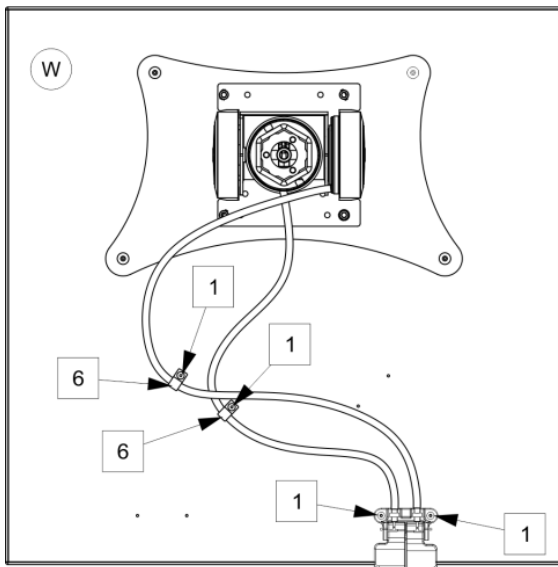


# Assembly Instructions

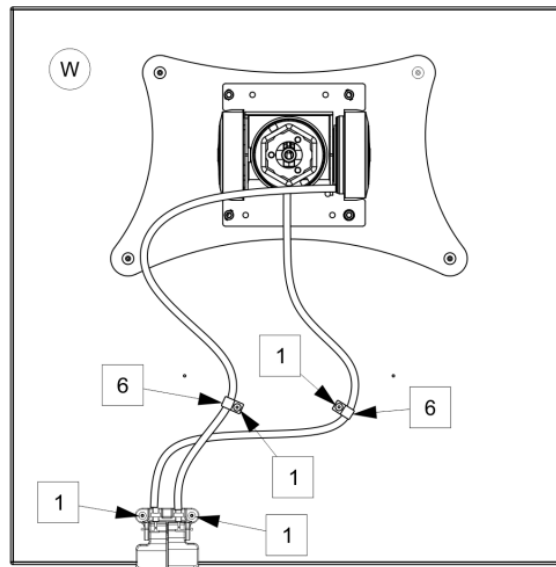
19. While applying pressure to panel (W), press right lever to raise lift mechanism fully. Using 4x fastener [#1], attach top (W) to butterfly plate (#10) while applying pressure from above.



20. Attach lift handles and cable clips [#6] to underside of top (W) using 4x fastener [#1].



For Operation With Left Hand



For Operation With Right Hand

21. Remove adhesive backing from pencil/paper retainer (#13). Align front edges of (#13) and top (W) and press firmly to attach.

Assembly Completed

